

Cooled IR Lamp Housing

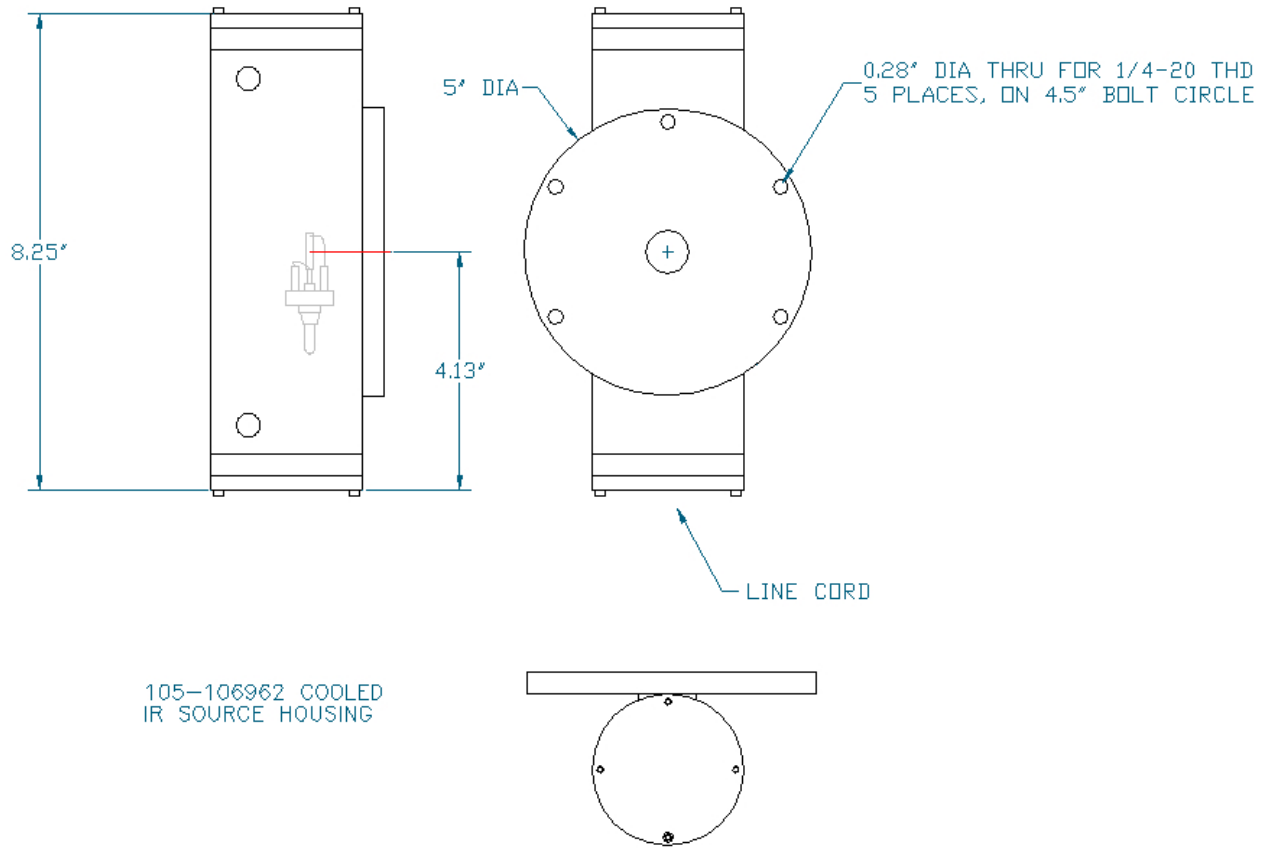
The water-cooled and (optionally) gas purged housing is for spectroscopy in the infra-red. Water cooling removes heat and allows the emitter to reach its full potential and optimal lifetime. The cool housing also provides good contrast and has no light leaks or air turbulence. It is for use with the 22-Watt Ceramic element (similar to a high irradiance Nernst element). This is a convenient economical source with sufficient radiant output and is a good match for spectrometer slits. The housing is compact for light collection faster than $f/2$ if necessary.

This lamp housing may be mounted directly to a spectrometer entrance slit and fits to our reflective condensers, chopper and filter wheel accessories.



Small IR Emitter | High Contrast | No air turbulence | Fits to McPherson 5" Slits

Source	Ceramic Emitter
Wattage	22
Color Temperature	1600-2000K
Source Emission	Line free continuum
Image Size	3mm x 10mm high
Divergence	$f/2$ and slower
Power Supply	Model 718 DC Supply
Intensity Control	With power supply
Rated Lamp Life	600 hours
Replacement Lamp	412-350
Weight	2 lbs



Ordering Information

Part Number 105-106962 = Water cooled, purged lamp housing (IR emitter and supply sold separately)