

Universal Light Source System

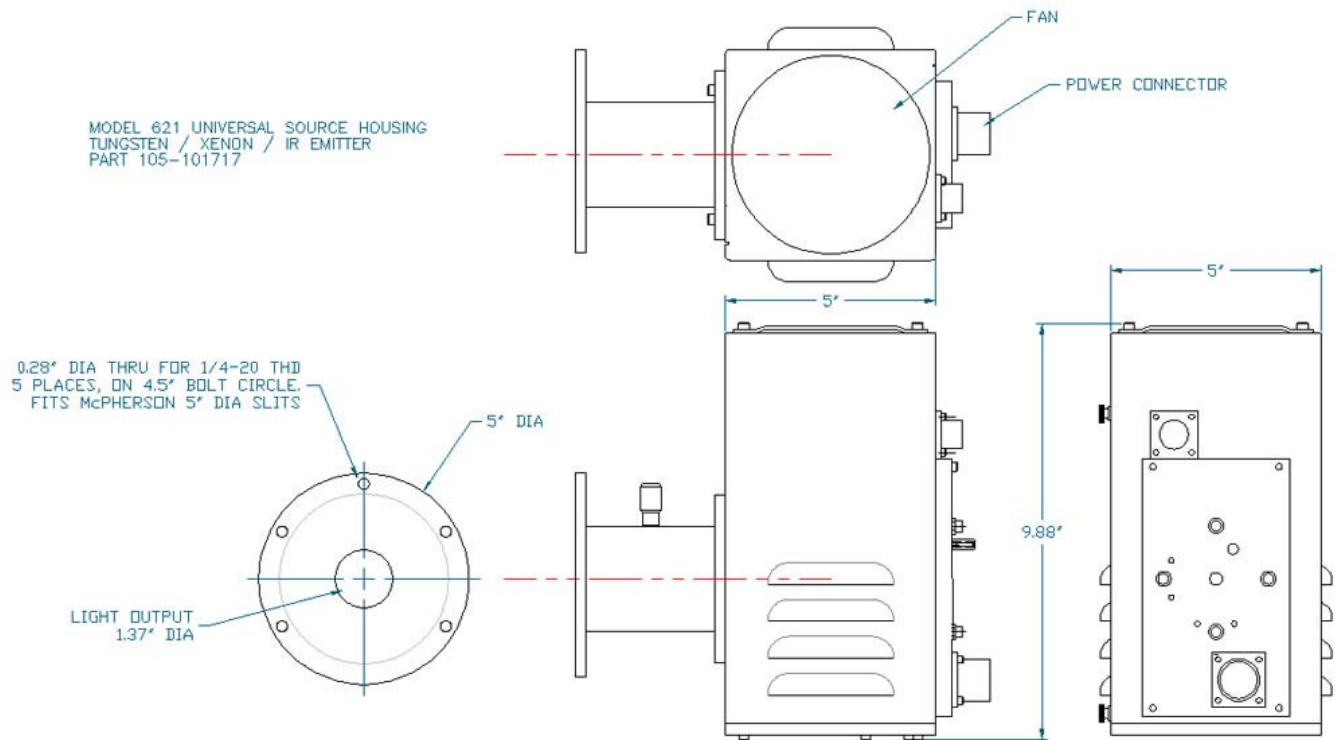
The Model 621 modular light source operates with a variety of light sources: tungsten, Xenon and IR emitters. It is a complete system with forced air cooling, lamp mount module, housing, condenser, power supply and cables. The Model 621 mounts directly on the 5-inch diameter entrance slit of any McPherson spectrometer and may be adapted to other spectrometers or for standalone operation.

Easy access to the housing interior and simplifies lamp and socket exchange. Adjusters for focus and alignment are externally accessible. Safety interlocks prevent shock hazard while power is applied. Forced air cooling, compartment reflectors and airflow baffling insures even heat removal from the system. This optimizes the sources stability and longevity.



Operates a variety of sources | Rear reflector | Forced air cooling | Fits to McPherson 5" Slits

Source	Deuterium	Tungsten-Halogen	Xenon Arc	Ceramic Emitter
Wattage	30	100 / 250	150	22
Color Temperature		3000 / 3400K	~6000K	1600-2000K
Source Emission	UV Continuum	Line free continuum	Continuum	Line free continuum
Image Size	1mm diameter	2.3 x 4.2mm high / 3.5 x 7mm high	0.5 x 2.2mm high	3 x 10mm high
Aperture	f/2 and slower	f/2 and slower	f/2 and slower	f/2 and slower
Power Supply	Model 732-1	Model 718 DC	Model 713	Model 718 DC
Intensity Control	None	With power supply	None	With power supply
Rated Lamp Life	1000 hours	2000 / 50 hours	1200 hours	600 hours
Replacement Lamp	412-317	412-334-1 / 412-335	412-313	412-350
Housing Size	5" dia x 6" long			
Weight	5 lbs			



Ordering Information:

105-101717 **Model 621 universal chimney-type lamp housing** with forced air cooling, safety interlock, ready to accept selected light source module(s) and optional accessories

Source Modules

105-101720 20 W ceramic emitter module for 1-25microns (small area)
 105-101719-1 100 W tungsten halogen module
 105-101719-2 250 W tungsten halogen module
 105-101722-1 150 Xenon continuum module for 200-2000nm with rear reflector
 105-101724 30 W Deuterium source module for 180-380nm

Condensers

100-101668-1 UV Quartz lens condenser for 200-2500 nm
 100-101668-2 Infrasil™ lens condenser for 200-4500 nm
 8105-0096-0 Model 617A Reflective Source Focusing

Power Supplies

8181-3560-0 Stable DC power supply 110 V, 60 Hz (-1 for 220V version)
 181-101908 Xenon Lamp Power Supply 110V 60Hz (-1 for 220V version)
 150-101679 Deuterium Lamp Power Supply 110V 60Hz (-1 for 220V version)

Replacement Lamps

412-350-0 Ceramic element
 412-334-1 Tungsten lamp, 100 W
 412-335-0 Tungsten lamp, 250 W
 412-313-0 Xenon lamp, 150 W 200-2000 nm
 412-317-0 Deuterium lamp, 180-380 nm